



The Future of Audio



Sennheiser electronic GmbH & Co. KG
Am Labor 1, 30900 Wedemark, Germany
www.sennheiser.com/tourguide

TOURGUIDE 2020-D

Information becomes an
experience. Quite simply.

SENNHEISER

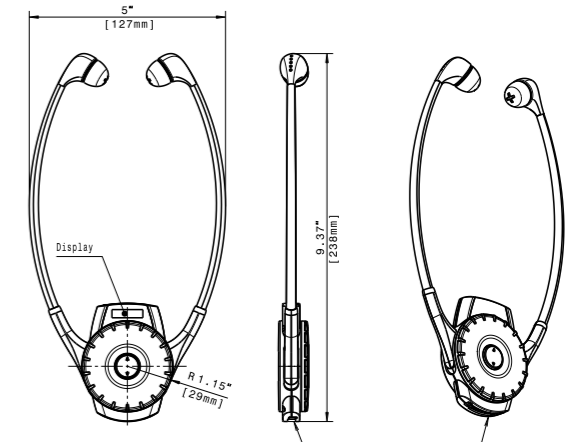
Tourguide 2020-D Universally convincing

The quick and easy way to a professional solution for visitor guidance. Excels with extremely simple handling, convinces with professional functionalities: The digital system Tourguide 2020-D stands for uncomplicated audio solutions in visitor guidance, at conferences, and for assistive listening.



Specifications HDE 2020-D-II

| | |
|---------------------------|--|
| Dimensions | 245 x 125 x 20 mm (9.65" x 4.92" x 0.79") |
| Weight incl. battery | 73 g (2.58 oz) |
| Modulation | 2 FSK |
| RF frequency range | 863 - 865 MHz 926 - 928 MHz (US-Version) |
| Frequency response | 100 - 7,000 Hz |
| Sound pressure level | 120 dB SPL at 1 kHz |
| Typical operating time | 8 h |
| Battery | 830 mAh (Li-poly) |



| | |
|--------------------------|--|
| Number of channels | Tourguide mode: 6 Conferene mode: 8 |
| THD at 1 kHz | < 1 % |
| Operating temperature | 0° C - 50° C |
| Delivery includes | HDE 2020-D-II, Manual |



Hassle free
design

Tourguide 2020-D combines the wireless receiver and headphones in one device. That makes it easy to handle even for large scale setups with many visitors. Use the practical charging case (EZL 2020-20L) as a convenient solution for charging and storing of up to 20 receivers and additional accessories.



Best
flexibility

Full flexibility for diverse application scenarios: The Tourguide 2020-D is not only fit for guidance and interpreter applications. For assistive listening in theaters or opera houses hearing aids can be easily connected to the system.



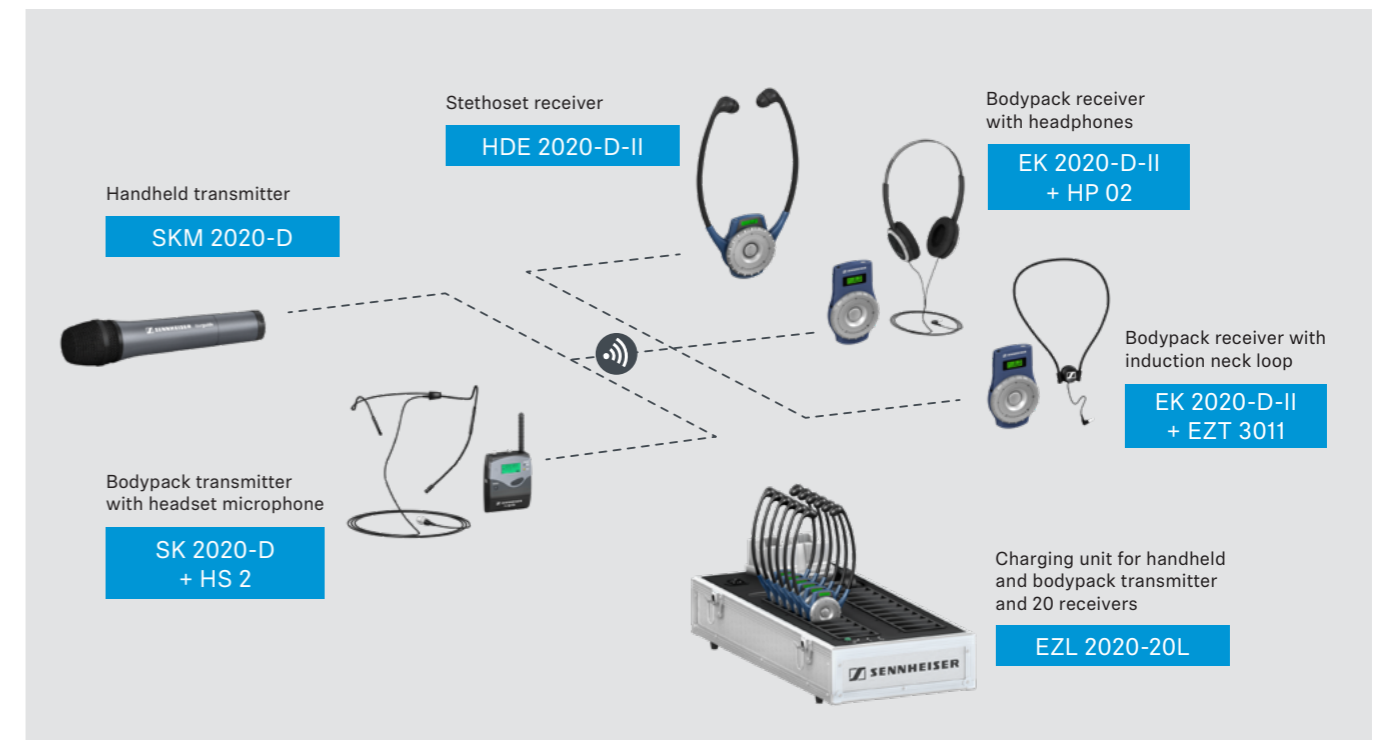
Simply
intuitive

The digital Tourguide 2020-D is designed for ease of use and doesn't require special technical knowledge. Its intelligent technology ensures absolutely simple handling.



License
free ISM band

The Tourguide 2020-D runs within the license-free ISM frequency band (which can be operated world wide) and is therefore extremely quick to set up, without elaborate frequency planning.



Guided tours applications – Tourguide 2020-D compact versatility

Components



HDE 2020-D-II

HDE 2020-D-II stethoset Tourguide receiver is the comfortable to wear receiver of the digital Tourguide System 2020-D. This truly unique device integrates both the receiver and headphones and delivers a number of advantages for you.



EK 2020-D-II

Whether conferences, guided tours or hearing assistance: this extremely sturdy and versatile bodypack receiver provides excellent audio and ease of use for your guests. The EK 2020-D-II can be used with headphones or an induction neckloop for transmitting the sound to hearing aids equipped with a T coil.



SR 2020-D

SR 2020-D, multiply gifted! For each of your productions, the compact high-tech transmitter SR 2020-D will provide perfect audio in exactly the right way.



NP 02, HP 02

These robust and lightweight headphones are the ideal addition to the EK 2020-D-II. For every occasion, there's a pair of headphones available for maximum comfort and in renowned Sennheiser quality.



SKM 2020-D

The SKM 2020-D hand-held microphone efficiently attenuates unwanted background noise. The transmitter is easy and comfortable to operate and highly robust.



SK 2020-D

The Tourguide transmitter SK 2020-D will allow you to deliver a highly professional guided tour. Combining the bodypack transmitter with an headworn or clip-on microphone, will give you total freedom of movement during your tour.



EZL 2020-20L & L 2021-40

The EZL 2020-20L charger case has been designed to be highly user-friendly. It acts as both the storage case for all equipment and charging station for the Tourguide receivers and transmitters. The L 2021-40 has been specially designed for stationary applications. It holds up to 40 receivers that will automatically quick-charge.



SL INTERPRETER

The SL Interpreter perfectly completes either the Tourguide 2020 or the Tourguide 1039 portfolio to create a compact, quick to install and easy to use interpretation setup for presentation-style conferences or events alike.

Applications



Factory Tours

The production facilities are the heart of every company and are therefore of particular interest to customers and journalists. This is where ideas are turned into product solutions. Also, this is the place where machines work around the clock and generate the highest noise level in the company. With the Tourguide 2020-D, several groups of visitors can be guided through the plant simultaneously. So you can ensure that your visitors understand every single word during the tour.



Exhibitions

Turn every exhibition into a very special experience with exciting and explanatory audio accompaniment and make it accessible to a wide audience. With Sennheiser Tourguide you can manage even large visitor rushes with ease.



Conferences

At conferences, every spoken word counts. Speech intelligibility is particularly important here. There is no room for technical failure. Tourguide 2020-D functions simply and very reliably in every important conference situation and is also suitable for interpreting.



'This system improves guided tours enormously, especially in heavily frequented cities or museums.'

'We use the Sennheiser Tourguide System on our 15 riverboats throughout Europe. All guests of the group hear the comments without annoying noise. They don't always have to "stick" to the guide but can also take a photo a little off the beaten track and still hear his comments. The guests come back enthusiastically from the excursions.'

Marion Hilbrich, Head of Operations, nicko cruises, Germany